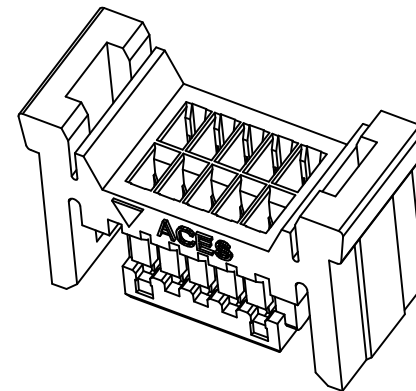


- NOTES:
 1. MATERIAL:
 HOUSING: Halogen Free PLASTIC, HIGH TEMP,
 UL94V-0; COLOR:BLACK OR WHITE
 2. SPEC. PLS. REFER TO PS-50238-XXXX-XXX
 3. PACKING: 1000PCS/BAG
 4. PART NUMBER

52254-XXX H X X X-XXX

NO OF CKT	XXX	PACKING	Halogen Free
Polarization	001	BAG	HF
0: None			
MATERIAL			
H: NYLON 66			
COLOR			
0:NATURE			
1:BLACK			



CKT	DIMA	DIMB	DIMC
10	4.00	6.20	11.30
12	5.00	8.20	12.30
14	6.00	9.20	13.30
16	7.00	10.20	14.30
18	8.00	11.20	15.30
20	9.00	12.20	16.30

QUALITY SYMBOLS	DRAWN BY	DATE	ACES ELECTRONICS
MAJOR Ⓢ	GAOLI	'23/11/21	
CRITICAL Ⓢ	CHECKED BY	DATE	TITLE
GENERAL TOLERANCES (UNLESS SPECIFIED)	XUZHUYONG	'23/11/21	
X. ±0.5	APPROVED BY	DATE	1.0mm WTB D/R WAFER
.X ±0.25	XUZHUYONG	'23/11/21	SMT S/T TYPE
.XX ±0.15	UNITS	SIZE	RFQ NO.
.XXX ±0.1	mm	A4	NA
ANGLES ±2°	SCALE	SHEET NO.	DWG NO.
	4 : 1	1 OF 1	52254-XXXHXXX-XXX